

D01654/GB0 25/2009

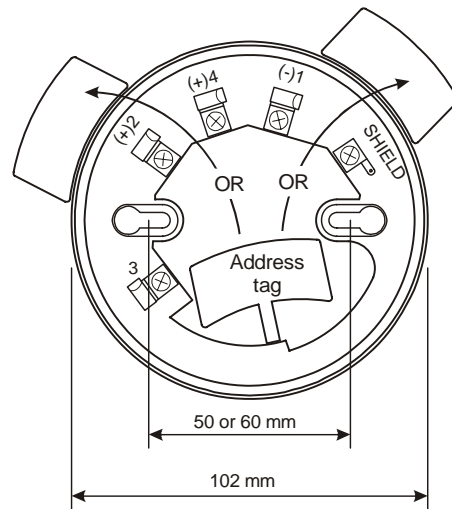
B501AP-IV base for 200 (FX-LC compatible) series detectors in FX NET Fire Detection Systems

The base B501AP-IV replaces the bases B501 and B501DG.

Detector base B501AP-IV

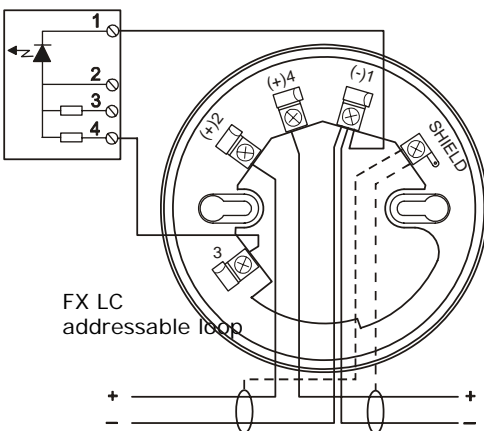


Mechanical installation



Electrical connections

Remote LED



Product code

Product	Product code
B501AP-IV	0671 0620

Note! The base B501AP-IV replaces the bases B501 and B501DG.